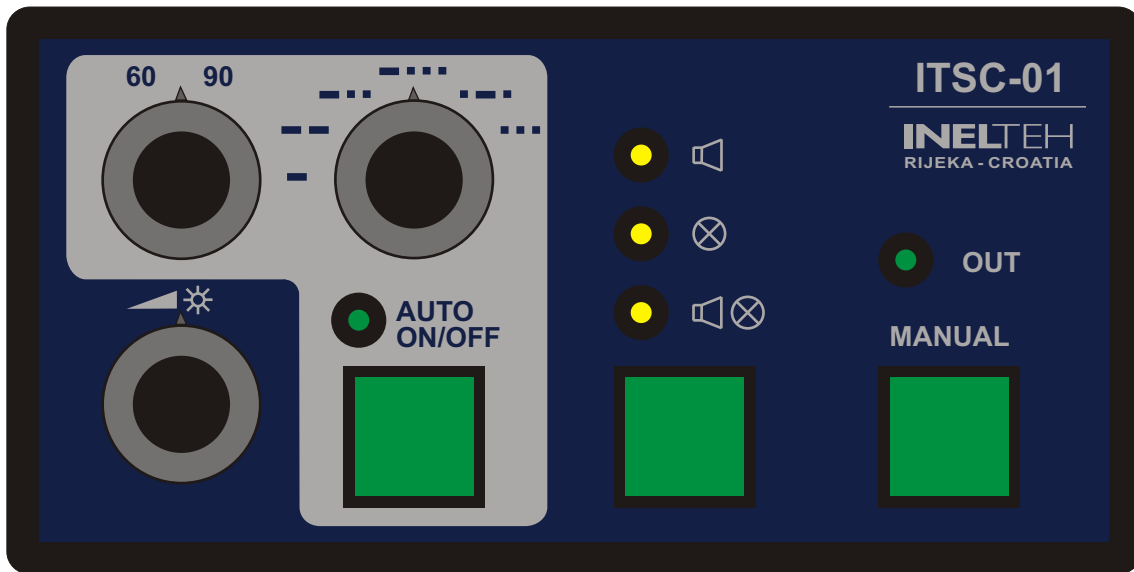


SIGNAL CONTROLLER ITSC-01

Signal controller ITSC-01 is designed for use on vessels with one whistle to control and generate whistle and lamp signals.



OPERATION

There are two working modes: automatic and manual. In manual mode Signal controller is on stand-by. Push on manual key will activate whistle or lamp depending of selected output. In automatic mode signal controller generates selected signal and repeats it every 60 or 90 seconds. Generated signal is forwarded to selected output.

ITSC-01 can be controlled by external push buttons. Two types of external push buttons is available, manual and morse push button. External manual push button has the same function as manual push button on control unit. Morse button activates lamp only.

ITSC-01 has input for general alarm keying and output for sound reception system blocking.

TEHNICAL CHARACTERISTICS

Power supply: 230V AC or 24V DC

Consumption: 11 W max (230V AC)
5 W max (24V DC)

Output: relays, N.O. voltage free contacts for lamp, whistle and sound reception system blocking
(max. 5 A for resistive load, 3A for inductive load, max 240 V AC/DC)

Protection class: IP22, (terminals IP20)

Six types of signal can be generated in accordance with Rule 35 of Colreg 1972

Time cycle: 60 or 90 seconds

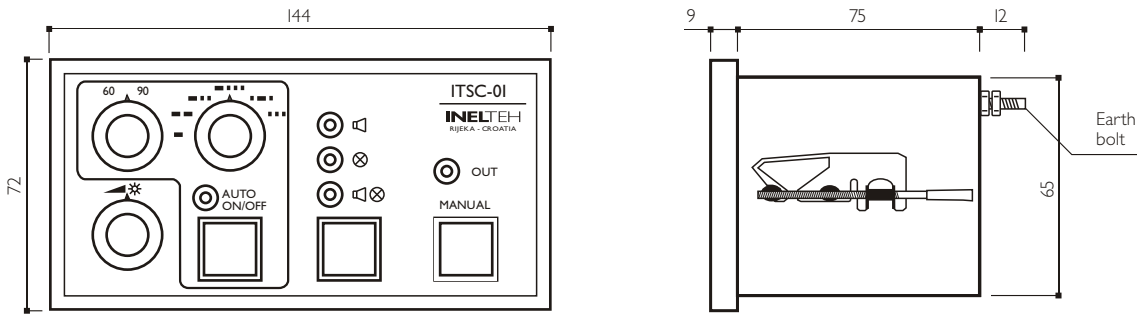
Integrated dimmer

Voltage free N.O. input contact for general alarm keying

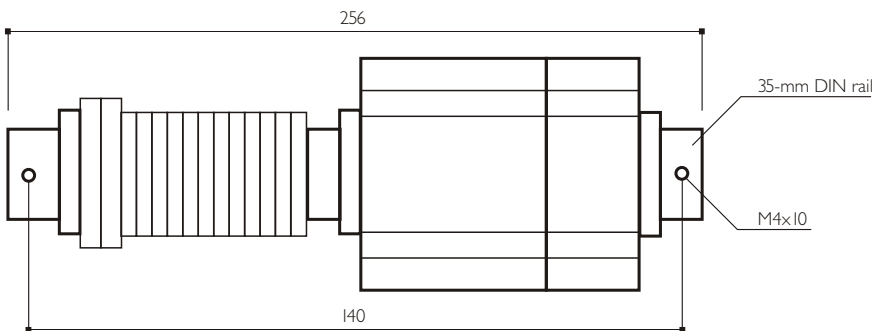
Inputs for manual keys and Morse keys

DIMENSIONS

ITSC-01 Control unit



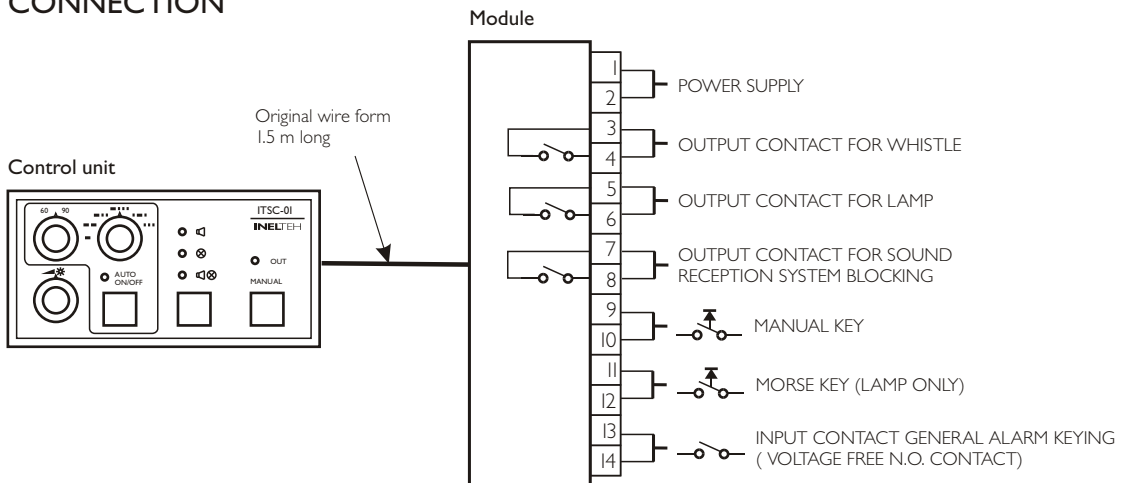
ITSC-01 Module



Maximal height: 60mm
Weight ĉ 1.3 kg

All dimensions are in mm

CONNECTION



ORDERING INFORMATION

